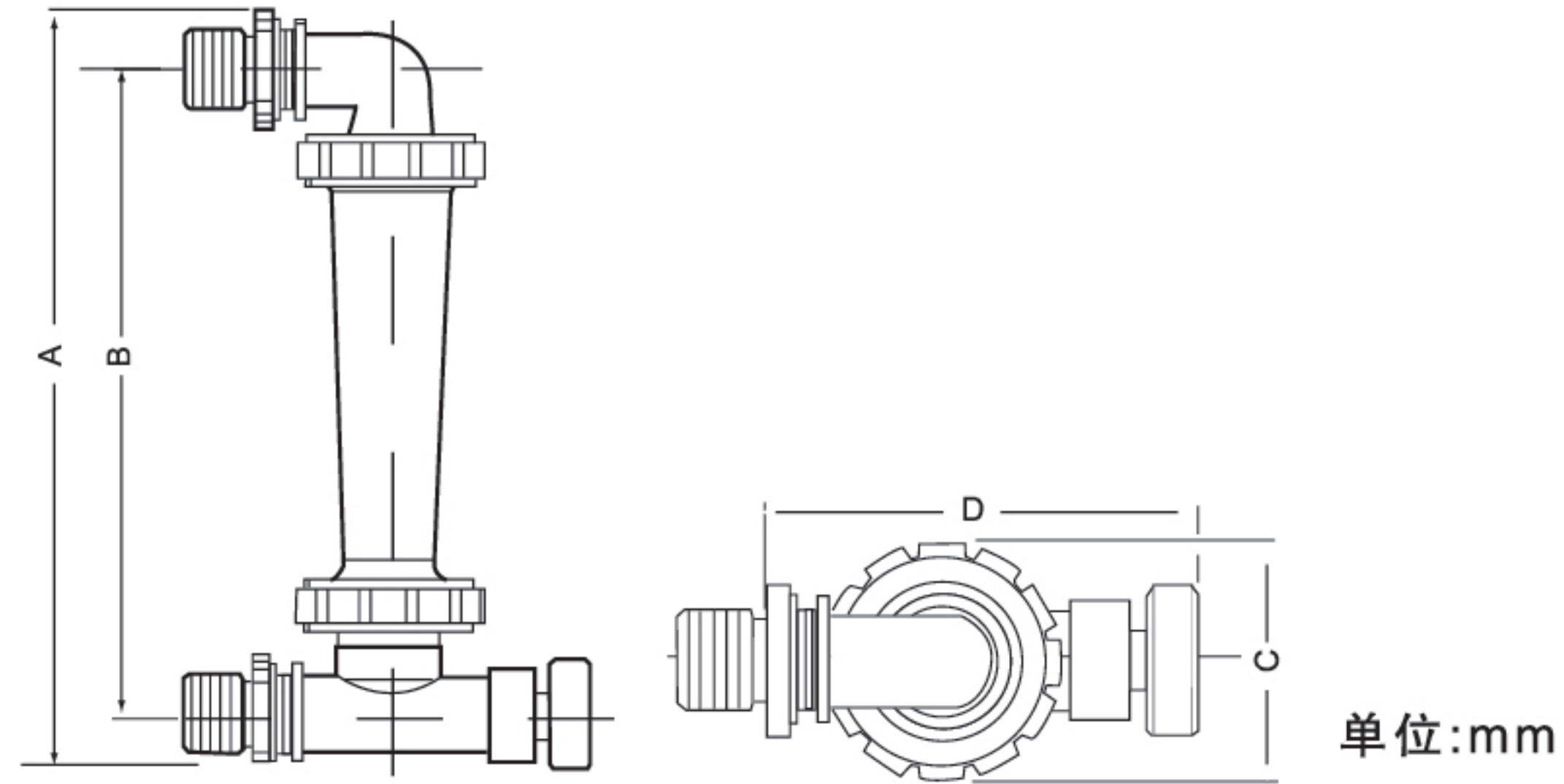
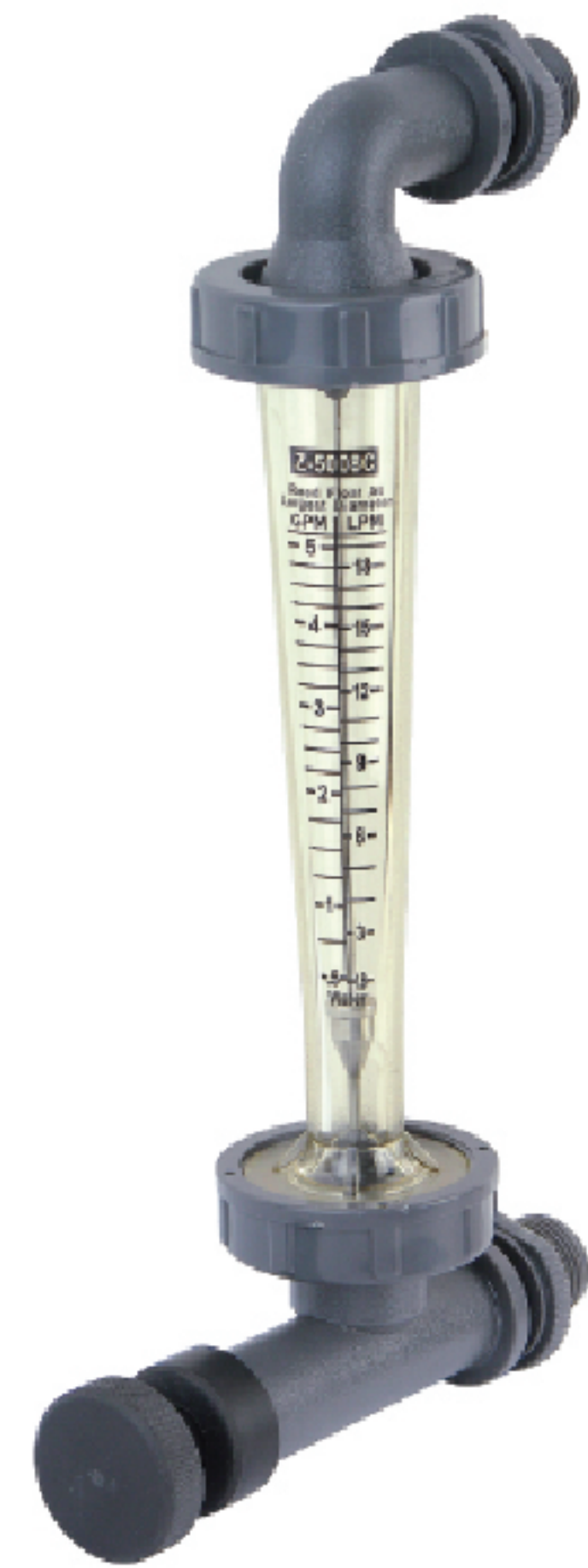


# The Series Z-500T Panel-mount Rotameter

Equipped with a valve to control the flow, the valve material is Polypropylene



The Series Z-500T Panel-mount Rotameter is a variable area flowmeter. Its measuring tube is made of transparent engineering plastic. As fluid passes through the pipe, the float suspends itself under the influence of fluid dynamics and gravity. The greater the fluid flow, the higher the float rises, allowing direct reading of the flow value from its position. With high transparency, impact resistance, and excellent chemical compatibility, this Panel-mount Rotameter becomes a preferred tool for laboratories, food & pharmaceutical industries, and measurement of corrosive media with small to medium flow rates. Its lightweight design, low cost, and ease of observation give it significant advantages in all applications.

## FEATURES

- Easy to panel-mount with a control valve
- The rotor floats with the fluid, no mechanical wear, low maintenance costs, and a long service life.
- Lightweight and cost-effective, it provides an economical flow measurement solution.
- Installed vertically without requiring straight pipe sections.
- The transparent pipe allows for direct observation of the fluid status and rotor position, facilitating easy reading.

## APPLICATIONS

- Pharmaceutical Industry
- Semiconductor Industry
- Food and Beverage Industry
- Urban Water Supply and Drainage
- Environmental Protection
- New Energy Industry
- Scientific research institution

## Specifications

Model	Liquid		Male Thread (M)	Accuracy	Weight (kg)
	GPM	LPM			
Z-5008T	0.1~1 0.2~2 0.5~5 -- --	0.5~4 1~7 1.8~18 1~11 2~20	1/2"NPT	± 6%	0.2
Z-5008CT	0.1~1 0.2~2 0.5~5 --	0.5~4 1~7 1.8~18 2~15	1/2"NPT		
Z-5015T	0.25~2.5 0.5~5 0.8~8	1~10 1.8~18 3~30	1/2"NPT		
Z-5015CT	10~100, 16~160 L/h 25~250, 40~400 L/h		1/2"NPT		

## SPECIFICATIONS

<b>Service</b>	compatible Liquid
<b>Material</b>	See material list
<b>Accuracy</b>	±6%
<b>Temperature Rating</b>	0°C to 60°C
<b>Pressure Rating</b>	Less than 0.6MPa
<b>Connection</b>	1/2" NPT male thread
<b>Weight</b>	0.2Kg

## MODEL CHART

Example	Z-50	15T	-0.5GPM-5GPM	-P	
<b>Series</b>	Z-500T				Panel-mount Rotameter
<b>Pipe Size</b>		08T			Please refer to the technical specification, outline dimension: AxBxCxDxE = 185x152x42x98x21xΦ21
		08CT			Please refer to the technical specification, outline dimension: AxBxCxDxE = 260x232x51x98x21xΦ21
		15T			Please refer to the technical specification, outline dimension: AxBxCxDxE = 270x240x51x98x21xΦ21
		15CT			Please refer to the technical specification, outline dimension: AxBxCxDxE = 270x240x51x98x21xΦ21
<b>Flow Range</b>			XXXXXXXX		Please select the range in the technical specification, for example "0.5GPM-5GMP"
<b>Body Material</b>				P	PC Polycarbonate
				A	PSU polysulfone

## Specifications

Model	A	B	C	D	E	Thread	Connection Material	Float Material
Z-5008T	185	152	42	98	∅21	1/2"NPT	PVC	316SS
Z-5008CT	260	232	51	98	∅21	1/2"NPT	PVC	316SS
Z-5015T	235	205	51	98	∅21	1/2"NPT	PVC	304/316SS
Z-5015CT	270	240	51	98	∅21	1/2"NPT	PVC	ABS